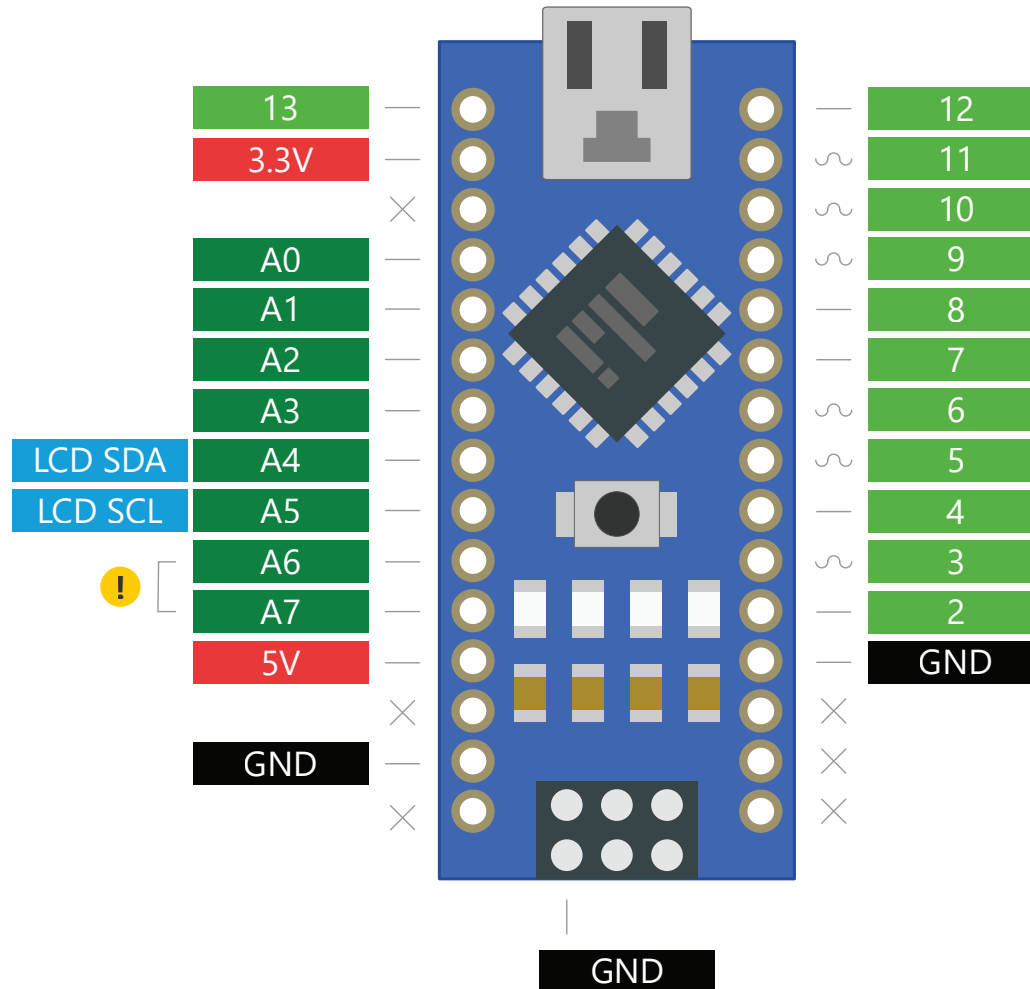




Simplified Arduino Nano pinout for MobiFlight



- Power
- Ground
- Input / Output pin
- Analog capable pin
- LCD display pins
- PWM capable pin
- Pin is not used in MobiFlight

! Analog pins A6 and A7 do not work for digital I/O like button input or led output on Nano due to hardware limitation.